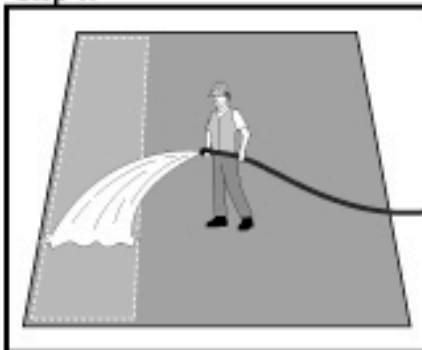


Installation

Installation Instructions

Page 1 of 2

Step 1:



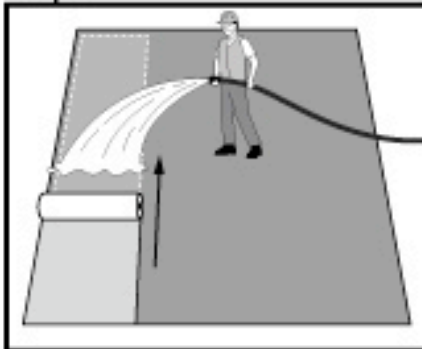
Use lots of Water

Spray water on and around the first area that will be blanketed with UltraCure[™]. At least 1/8-1/4" of water is required.

Use Mucha Agua

Llene de agua el área que va a cubrirse con UltraCure. Se necesita por lo menos 1/8-1/4" de agua.

Step 2:



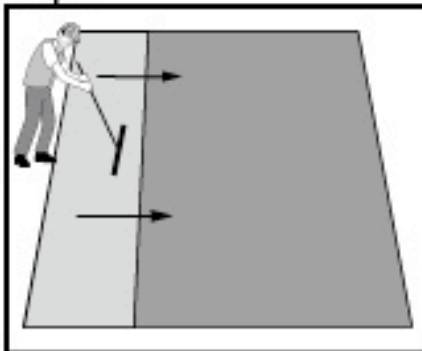
Roll out UltraCure

Place the UltraCure roll on the wet surface plastic side up, absorbent fiber side down. Un-roll the UltraCure blanket in a straight line. Spray additional water as needed. If wrinkles occur, or the roll becomes out of line, cut the blanket straight across, realign the roll, and continue roll out.

Desenrollar UltraCure

Coloque el rollo de UltraCure encima de la superficie inundada, el lado plástico hacia arriba, y el lado con fibra absorbente hacia abajo. Desenrolle la cobija de UltraCure en una línea recta. Rocíe agua si es necesario. Si hay arrugas o el rollo sale de línea, corte la cobija recta realinee el rollo y continúe desenrollando.

Step 3:



Squeegee Wrinkles

Using the UltraCure Squeegee (or similar squeegee), smooth out wrinkles and air pockets. Be sure and squeegee toward the un-blanketed portion of the surface.

Ecurrir Arrugas

Usando el de escurridor UltraCure (o uno similar), suavice las arrugas y bolsillos de aire. Asegúrese de escurrir hacia la porción descubierta del superficie.

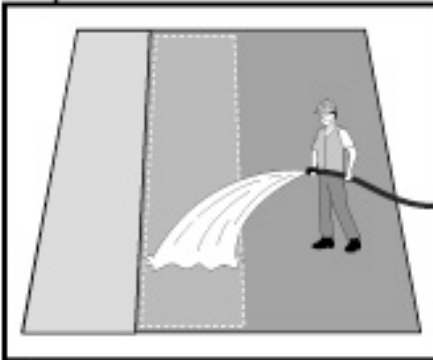
Please see page two for steps 4-7
For support call: 1-866-913-8363
www.McTechGroup.com

Installation

Installation Instructions

Page 2 of 2

Step 4:



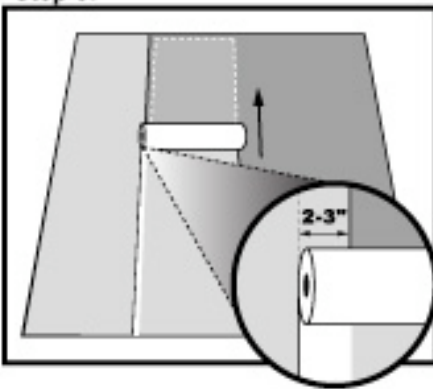
Use lots of Water

Spray water on the next area to be covered with the UltraCure blanket (same technique as Illustration #1).

Use Mucha Agua

Llene de agua la proxima área que se cubrira con la cobija de UltraCure de agua (como se muestra en la ilustración numero 1).

Step 5:



Un-roll and Overlap 2 to 3"

Roll out the next layer of UltraCure. Be sure to OVERLAP THE PREVIOUS ROLL by at least 2-3".

Desenrolle y Traslapar 2" a 3"

Desenrolle la proxima capa de UltraCure. Asegúrese de traslapar el rollo anterior por lo menos 2" a 3".

Step 6:

Repeat Steps 3 through 5 until the entire surface is blanketed.
Repita los pasos 3 a 5 hasta que toda la superficie esté cubierta.

Step 7: Remove the blanket on the 7th day and dispose of the used blankets along with construction debris.

Please see page one for steps 1-3
For support call: 1-866-913-8363
www.McTechGroup.com